



## Line Master

Line Marking Machine

### Features & Benefits

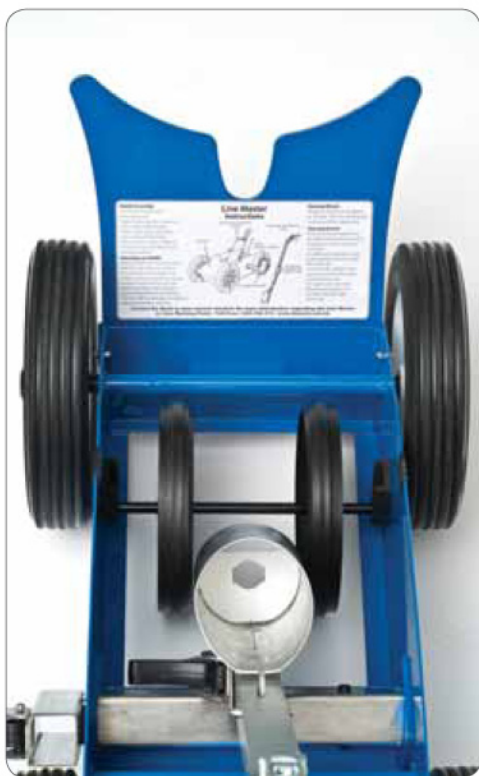
- Ergonomic design with built-in side line attachment
- Heavy duty steel construction
- Lightweight, removable handle for spot marking
- Includes utility tray and storage for up to 5 cans of Dy-Mark's Line Marking Paint
- Line width adjustable between approximately 60mm and 100mm

### Description

Line Master

### Ref. Code

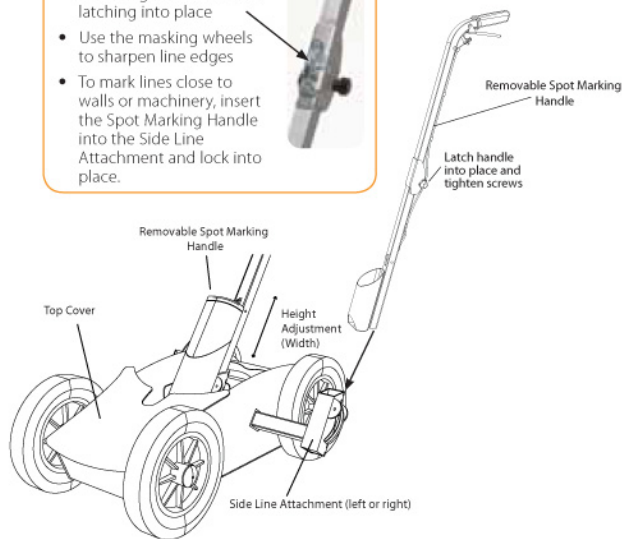
41800203





### Hints & Tips

- Do not overtighten locking mechanism when unfolding the handle and latching into place
- Use the masking wheels to sharpen line edges
- To mark lines close to walls or machinery, insert the Spot Marking Handle into the Side Line Attachment and lock into place.



### Use the Line Master with:

#### Line Marking Paint



- Fast drying acrylic paint formulated to provide long lasting lines
- Ideal for marking lines on carparks, factories, warehouses, sporting fields and courts

#### Turf Master



- Temporary grass marking paint ideal for landscapers and sporting grounds
- Low toxicity formula does not damage grass

#### Reflective Glass Beads

- Designed to be added to Line Marking Paint
- Ideal for improving night-time visibility of marked lines

